



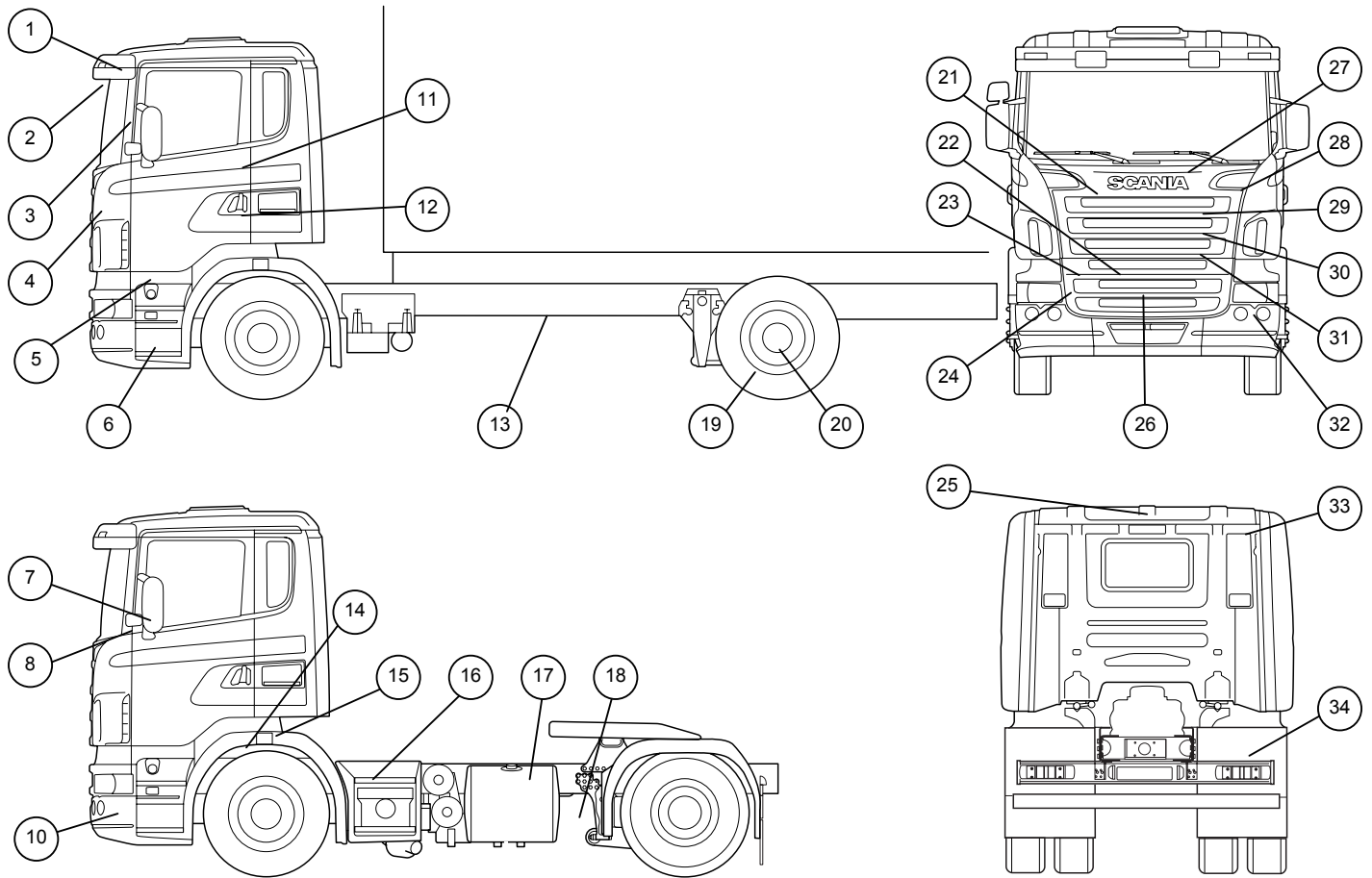
PRODUCT INFO

Product data ▶ Paintwork scheme

2005-05-06 page
1(2)

CR16





| | | | | | |
|----|------------------------|------------|----|----------------------------|------------|
| 1 | Sun visor upper part | MCC unique | 17 | Alu. Fuel tanks | MCC 2480 |
| 2 | Sun visor lower part | MCC unique | 18 | Side Skirts | MCC 2467 |
| 3 | Cover "A" pillar | MCC 3258 | 19 | Rims | MCC unique |
| 4 | Cab corners | MCC unique | 20 | Hub ends | MCC unique |
| 5 | Step border plate | MCC 3291 | 21 | Grille upper body | MCC unique |
| 6 | Insteps | MCC 2463 | 22 | Shielding plate grid | MCC unique |
| 7 | Mirror set | MCC 3254 | 23 | Shielding plate | MCC unique |
| 8 | Cover hinge door | MCC 3257 | 24 | Grille lower body | MCC unique |
| | | | 25 | Roof hatch | MCC unique |
| 10 | Bumper parts | MCC 2461 | 26 | Grille lower grids | MCC unique |
| 11 | Doors | MCC unique | 27 | Sealing strip | MCC unique |
| 12 | Doors handles | MCC 3255 | 28 | Grille upper grid in holes | MCC unique |
| 13 | Chassis | MCC unique | 29 | Grille upper grid top. | MCC unique |
| | Air deflector roof | MCC unique | 30 | Grille upper grid med. | MCC unique |
| | Air deflector ear | MCC unique | 31 | Grille upper grid lower | MCC unique |
| | Air deflector side | MCC unique | 32 | Lamp housing | MCC 2462 |
| 14 | Fenders | MCC 2464 | 33 | Roof | MCC unique |
| 15 | Fenders sealing | MCC 2465 | 34 | Mudguards | MCC 2468 |
| 16 | Battery Box + Silencer | MCC 2466 | | | |